



ADATA Industrial & Embedded Solutions

2.5" SATA SSD

ADATA ISSS316 industrial-grade 2.5" solid-state drives (SSD) implement 3D NAND Flash for excellent read/write speeds of up to 550/520MB per second, and come in capacities ranging from 32GB to 1TB. They are ideally suited for industrial computing, embedded applications, gaming, surveillance, healthcare, defense, and general automation. With support for LDPC (Low-Density Parity-Check) error correcting code technology, ISSS316 SSDs can detect and fix errors to ensure data integrity and thus enjoy an extended lifespan. What's more, they take full advantage of ADATA's proprietary A+ Testing Methodology, which encompasses Functionality Testing and Reliability Validation. This guarantees the drives meet the exacting requirements of industrial and enterprise applications.

Key Features

- 3D TLC NAND Flash - higher capacity, durability, and power efficiency
- Advanced hardware LDPC ECC Technology
- Wide capacity range: 32GB to 1TB
- S.M.A.R.T. data integrity protection
- Hardware power detector and Flash protection
- Flash management
- Supports NCQ and Windows TRIM command



Target Applications

Industrial computing, embedded applications, gaming, surveillance, healthcare, defense, and general automation

30u Golden Finger	Anti-Sulfur Resistor	Conformal Coating	Wide Temperature	EDS & EMI Safe	Shock & Vibration Resistant	Lifetime Monitoring (LTM)	Temperature Sensor	Wear Leveling	Secure Erase	TRIM	Low Power Consumption
●	---	---	---	●	●	●	●	●	●	●	●

● Supported

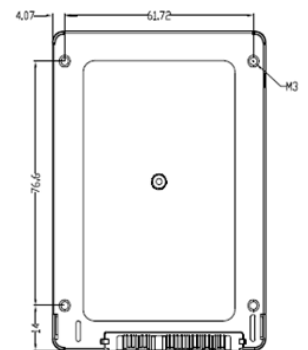
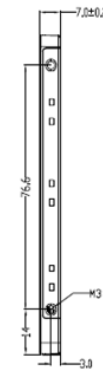
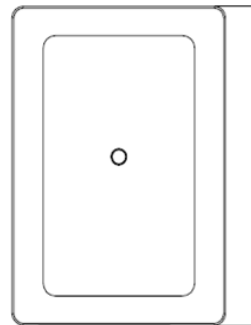
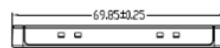
Specifications

Model	ISSS316
Interface	SATA 22-pin
Flash Type	3D TLC
Operating Voltage	5V
Capacity	32GB-1TB
Sequential Read (Max)	Up to 550MB/s
Sequential Write (Max)	Up to 520MB/s
Data Transfer Mode	SATA III 6Gbps
Operating Temperature	0°C to 70°C
Operating Humidity	5%-95% RH non-condensing
Power Consumption (Max)	1.79W
MTBF (Est)	>2,000,000 hours
Vibration Resistance	20G (10-2000Hz)
Shock Resistance	1500G/0.5ms, Half Sine Wave
Dimensions (L x W x H)	100.25 x 69.85 x 7mm
S.M.A.R.T.	Supported

Ordering Information

Capacity	3D TLC 0°C to 70°C
32GB	ISSS316-032GD
64GB	ISSS316-064GD
128GB	ISSS316-128GD
256GB	ISSS316-256GD
512GB	ISSS316-512GD
1TB	ISSS316-001TD

Dimensions



ADATA Technology

2F, No.258 Liancheng Rd.,
 Zhonghe Dist., New Taipei City 235, Taiwan
 Tel: +886-2-8228-0886
 Fax: +886-2-8228-0887
 E-Mail: adata@adata.com

