

# SATA DOM



The ISMS331 SATA DOM supports SATA interface and is designed for industrial field, and support several key features including self-diagnostics, life time monitoring and ECC (Error Correcting Code). They are available in vertical and horizontal connectors, and manufactured based on JEDEC standard for easy installation and high compatibility. All products in the series take advantage of ADATA's A+ Testing Methodology. Rigorous testing ensures the production of the best quality products that satisfy requirements for extreme quality and reliability of industrial computers. The compact size of ISMS331 is perfectly suited for desktops, compact computers, industrial computers and embedded applications, making it an ideal choice for industrial control applications.

## Key Features

- Standard SATA 7pin interface
- Available in horizontal and vertical connectors
- High-speed SLC/MLC NAND Flash
- Low power consumption: 1.56W
- Industrial-grade extended temperature range of -40°C to 90°C
- H/W Power Detector and Flash Protection
- Error Correcting Code (ECC)



## Target Applications

Compact computers, industrial/embedded systems, and automation applications

	Wide Temperature	ESD & EMI Safe	Shock & Vibration Resistant	Lifetime Monitoring (LTM)	Temperature Sensor	Wear Leveling	Secure Erase	TRIM	Low Power Consumption
ISMS331	●	●	●	●	●	●	●	●	●

● Supported



# SATA DOM



## Specifications

Model	ISMS331	
Interface	SATA 7PIN	
Flash Type	SLC	MLC
Operating Voltage	5V	
Capacity	4GB-32GB	8GB-128GB
Sequential Read (max. est.)	Up to 260MB/s	Up to 300MB/s
Sequential Write (max. est.)	Up to 260MB/s	Up to 180MB/s
Data Transfer Mode	SATA III 6.0Gbps	
Operating Temperature	Commercial: -10°C to +80°C, Industrial: -40°C to +90°C	
Operating Humidity	5%~95% RH non-condensing	
Power Consumption (max. )	1.56W	
MTBF (est.)	>2,000,000 hours	>1,000,000 hours
Vibration Resistance	20G (10~2000Hz)	
Shock Resistance	1500G/0.5ms, Half Sine Wave	
Dimensions (L x W x H)	<u>Vertical Connector</u> With Housing : 40.7 x 25.1x 7mm Without Housing : 38.6 x 23.6 x 8.7m <u>Horizontal Connector</u> With Housing : 34.8 x 25.1 x 7mm Without Housing : 32.8 x 23.6 x 17mm	
S.M.A.R.T.	Supported	

## Ordering Information

### MLC

Capacity	MLC Vertical -10°C to 80°C	MLC Horizontal -10°C to 80°C	MLC Vertical -40°C to 90°C	MLC Horizontal -40°C to 90°C
8GB	ISMS331-008GMV	ISMS331-008GMH	ISMS331-008GTV	ISMS331-008GTH
16GB	ISMS331-016GMV	ISMS331-016GMH	ISMS331-016GTV	ISMS331-016GTH
32GB	ISMS331-032GMV	ISMS331-032GMH	ISMS331-032GTV	ISMS331-032GTH
64GB	ISMS331-064GMV	ISMS331-064GMH	ISMS331-064GTV	ISMS331-064GTH
128GB	ISMS331-128GMV	ISMS331-128GMH	ISMS331-128GTV	ISMS331-128GTH

# SATA DOM

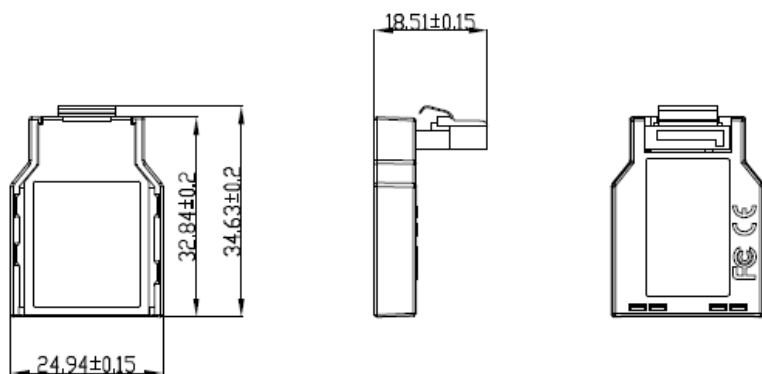


## SLC

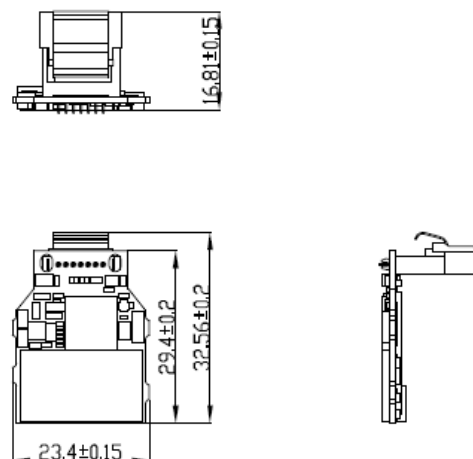
Capacity	SLC Vertical -10°C to 80°C	SLC Horizontal -10°C to 80°C	SLC Vertical -40°C to 90°C	SLC Horizontal -40°C to 90°C
4GB	ISMS331-004GFV	ISMS312-004GFH	ISMS331-004GWV	ISMS331-004GWH
8GB	ISMS312-008GFV	ISMS312-008GFH	ISMS331-008GWV	ISMS331-008GWH
16GB	ISMS312-016GFV	ISMS312-016GFH	ISMS331-016GWV	ISMS331-016GWH
32GB	ISMS312-032GFV	ISMS312-032GFH	ISMS331-032GWV	ISMS331-032GWH

## Dimensions

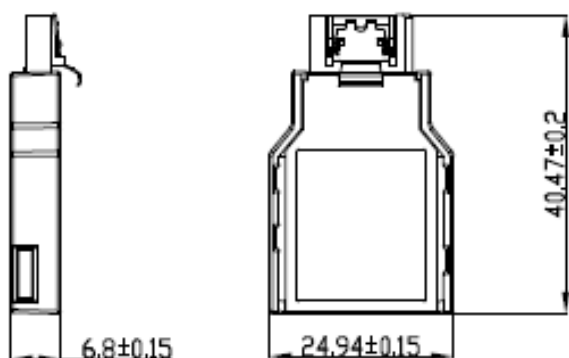
### Horizontal (with housing)



### Horizontal (without housing)



### Vertical (with housing)



### Vertical (without housing)

